

4

3

2

1

D

D

C

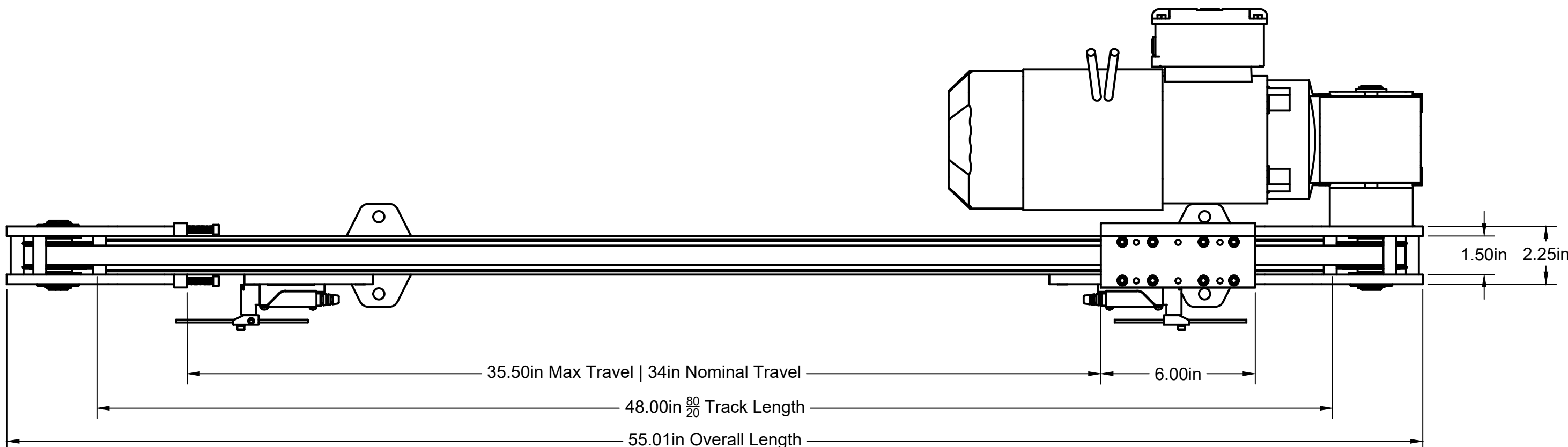
C

B

B

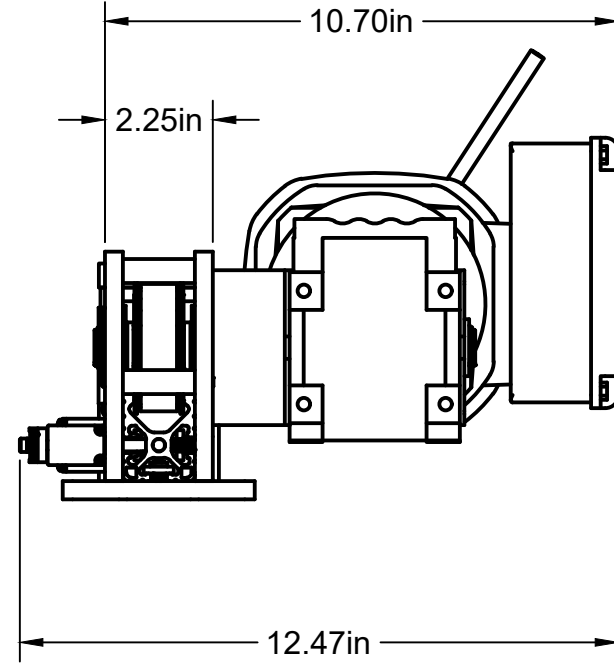
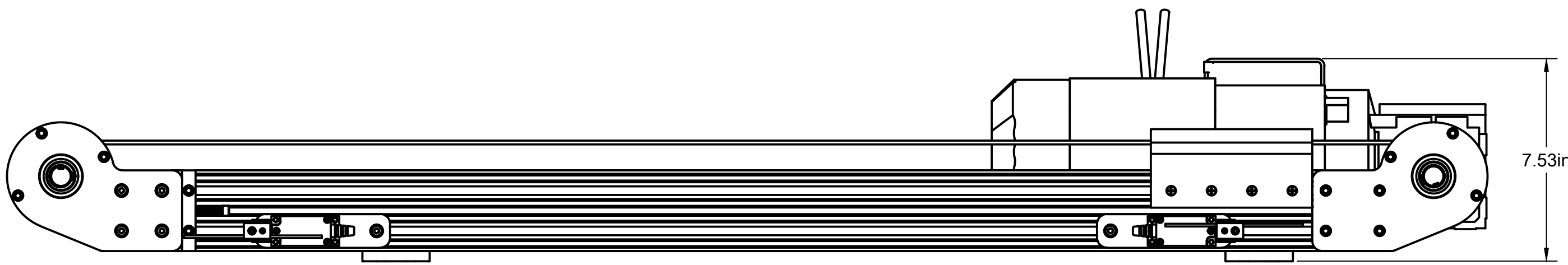
A


A



 LENGTH CHART

Nominal Travel	X
Max Travel	X + 1.50"
Track Length	X + 14"
Overall Length	X + 21.01"



	PROJECT Trickline			
	TITLE Trickline Overview			
APPROVED	SIZE	CODE	DWG NO	REV
CHECKED	C			A
DRAWN Gareth Conner 7/19/16	SCALE 1:4	WEIGHT	SHEET 2 of 16	

4

3

2

1